



# YT-38



## Features



- External dimensions: 3.0 x 8.0 mm.
- Frequency range: 32.768KHz.
- Frequency tolerance(standard):  $\pm 10$ ppm.
- Excellent Reliability Performance.
- Applications: clock and Microcomputer.

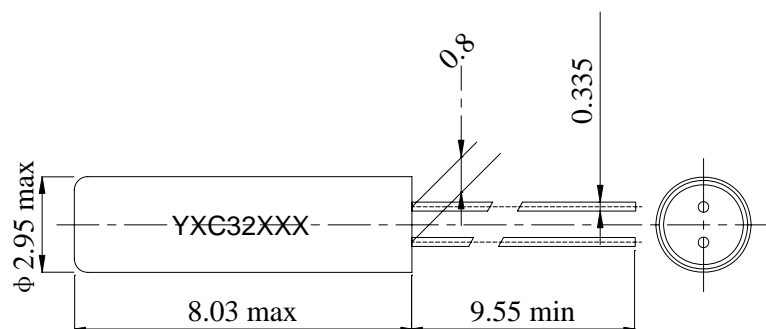
## Electrical Specifications

Item / Type	YT-38
Nominal Frequency Range	32.768KHz
Load Capacitance	12.5pF , or specify
Frequency Tolerance (at 25 °C)	$\pm 10$ ppm, $\pm 20$ ppm, or specify
Frequency Versus Temperature Characteristics	0~120 ppm, or specify
Turnover Temperature	$-(0.036 \pm 0.01)$ ppm/ $^{\circ}\text{C}^2$
Operating Temperature	- 20 ~ + 70 °C , - 40 ~ + 85 °C , or specify
Storage Temperature	-40~ +85°C , or specify
Shunt Capacitance	1.8pF Max.
Level of Drive	1 ~ 100 $\mu\text{W}$ ( 1.0 $\mu\text{W}$ Tvp )
Insulation Resistance	More Than 500M $\Omega$ at DC 100V
Frequency Aging (at 25 °C)	$\pm 3$ ppm / year Max.

## Equivalent Series Resistance(ESR)

Fundamental	
32.768KHz	40K $\Omega$ Max.

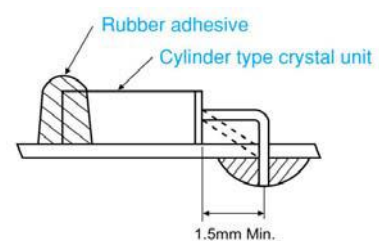
## Dimensions



Units: mm( $\pm 0.1$ mm)

### ● Mounting of cylinder type products:

Soldering the body of the cylinder type crystal units with PCB must be avoided due to deteriorate the characteristics or damage the products. Rubber adhesive is recommended.



### ● Soldering

Lead wires should be soldered within 3 seconds with the soldering iron heated to a temperature no higher than 300°C